

# **ETS Inc.**    **SM1-TRW Microphone Instructions**

---

The SM1-TRW is a stainless steel, tamper resistant, IP55 rated weather resistant, high quality, 12-24VDC powered, flush mount, omni-directional, pre-amplified microphone with a for use with DRVs, IP cameras, etc. Note- the audio output of the SM1 is jumper selectable “line level” (0db) or “microphone level” (-30db).

## **SM1-TRW Microphone Placement.**

Locate the SM1-TRW Microphone near the area of interest be monitored. Do not mount the microphone near air conditioning vents, light fixtures or electrical equipment. The SM1-TRW should be placed as close as possible to the subject(s) to be monitored. The SM1-TRW is useable in the range of 3-25 feet but is dependent on the level of background noise in the area. Experimentation in the environment will determine what distances work best.

## **Cable Run**

Run a 22 gauge, stranded, two conductor shielded cable between the SM1-TRW microphone and the monitoring device. Keep the cable run distance under 1,000 feet and away from AC power sources, light fixtures and electrical equipment. Connect power to the + terminal, the audio signal to the “audio” terminal and ground to the – terminal. The Ground of the power and audio signal must share a common ground for proper operation. *See Figure 1 for connection diagram.*

## **Mounting**

The SM1-TRW can be surface or flush mounted on walls. For flush mounting, cut a 2 ¼” by 2 ¾” hole in the wall or ceiling tile to allow room for the circuit board and mount the SM1-TRW to the surface with screws (sound hole side down). A single gang outdoor rated electrical “Bell box” can be used for surface mounting. BE SURE TO USE SUPPLIED GASKET to prevent water from leaking into the back side of the microphone

## **Adjusting the SM1-TRW Gain**

The SM1-TRW output level is set by selecting the desired volume range and adjusting the gain control.

The “Volume Range” switch should be set to the “LO” position when using the SM1-TRW with IP cameras that utilize “microphone inputs” also know as “Mic. Level” inputs. This sets the maximum gain of the SM1-TRW’s pre-amp to x14. The switch should be placed in the “HI” position when using IP cameras with “Line level” inputs of DVRs and IP cameras. This sets the maximum gain of the SM1-TRW’s pre-amp to x196.

The SM1-TRW is shipped with the gain set at midrange. If the sound at the “head end” is distorted, rotate the control towards the – mark (counter-clockwise). If the volume at the “head end” is too low, rotate the control towards the + mark (clockwise).

## **Setting the SM1-TRW Hi-Cut/Lo-Cut Jumpers**

The normal frequency response of the SM1-TRW microphone is 500-16Khz. When both switched “in”, The “HI Cut” and “Lo Cut” filters set the SM1-TRW’s frequency response to 900-6Khz . Enabling one or both of the filters is useful when background noise needs to be further reduced and intelligibility of speech emphasized. We recommend experimenting with the switch settings to achieve the best acoustic result for your application.

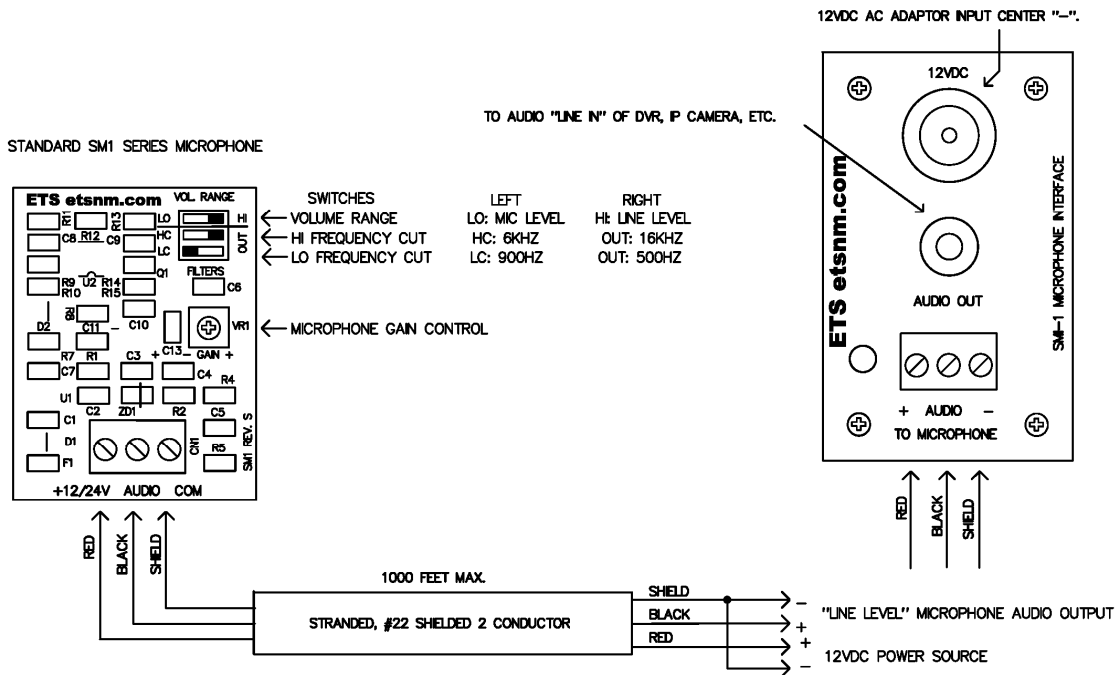


Figure 1.

### Caution

It may be against the law to install this microphone kit in certain environments. It may also be against the law to record conversations of the person(s) being monitored without their knowledge. It is the responsibility of the installation company and end-user to determine if the application of this product is legal. These laws vary from state to state. If you are not informed on these matters, consult a qualified attorney or contact the appropriate state agency. A sticker is provided with this kit for the applications where notification must be posted.

### Warranty

All ETS products carry a one year parts and labor warranty. This warranty does not cover damages as a result of misuse, improper handling of the unit or exposure to extreme temperatures or moisture. At its discretion, ETS reserves the right to repair or replace this unit under the conditions of the warranty. If you experience problems with your equipment call ETS at: 505-888-3923 to obtain a return authorization number. Equipment requiring repair beyond the warranty period or units that have been damaged or are not covered under the warranty can be repaired by ETS for a minimal cost under most conditions.

Made in the USA  
by  
**ETS** Inc.